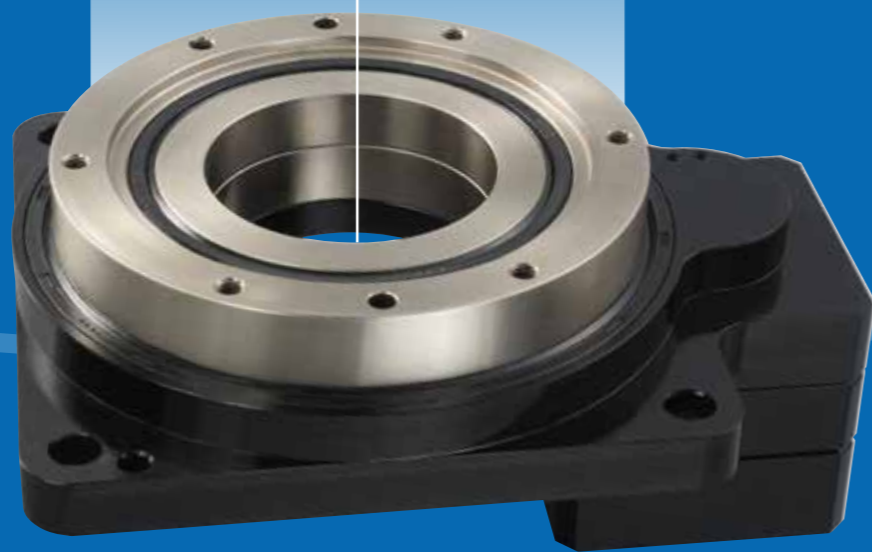


HT series



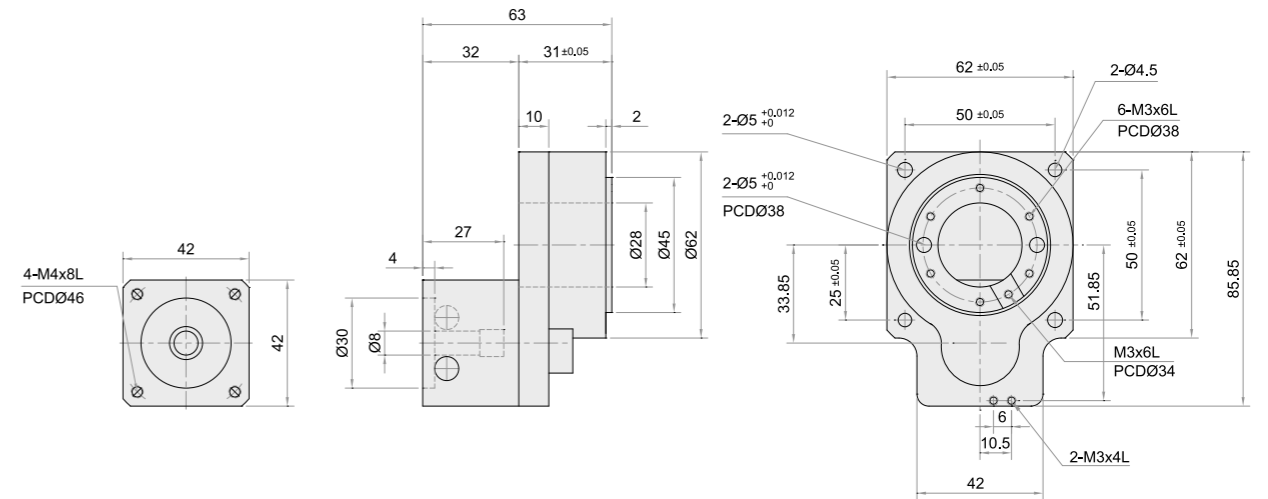
產品特點 PRODUCT FEATURES

中空旋轉平台

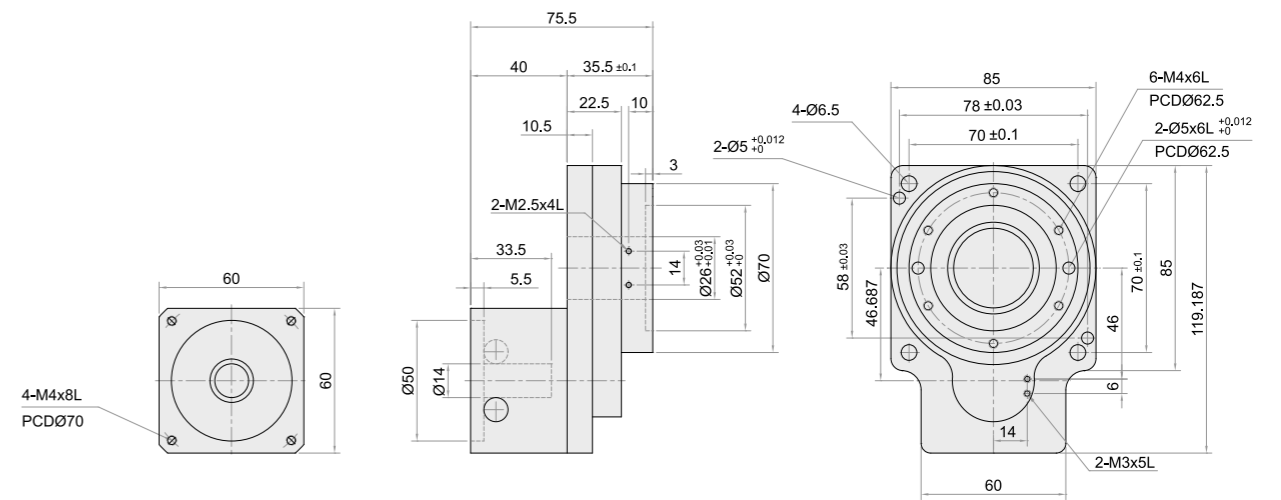
中空旋轉平台可做精密旋轉定位，直接取代凸輪分割器和DD馬達具有低成本高精度的優勢，並可搭配AC伺服馬達或步進馬達做任意角度分割。可滿足分割器無法達到之數位控制、且定位精度可媲美DD馬達。

HOLLOW ROTARY can be the precision positioning, replacing cam indexing units directly and the DD motor has advantages of low cost with high precision. It may also collocate with AC servo motor or stepper motor for arbitrary angle cutting. It can satisfy the digital control that indexing units cannot provide and the accuracy of positioning compares favorably with DD motor.

MODEL: HT SERIES HT062



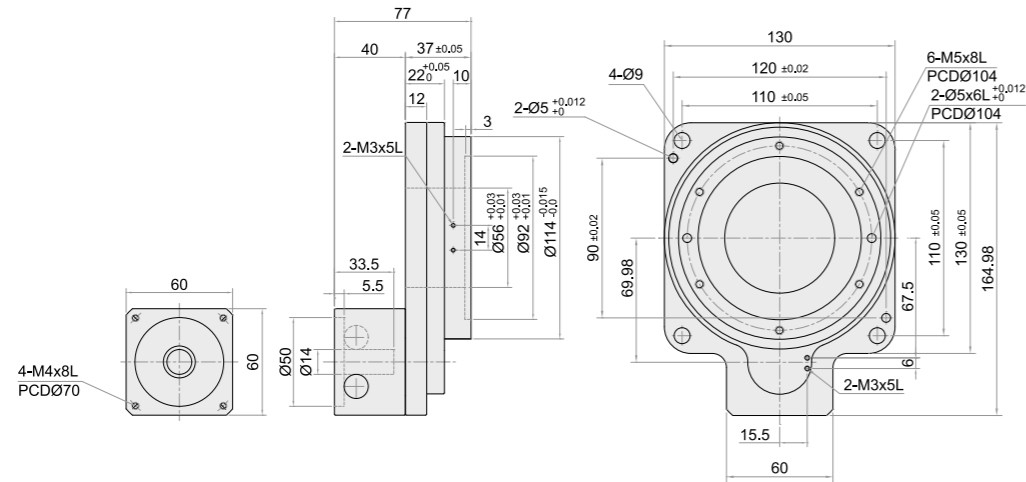
MODEL: HT SERIES HT085



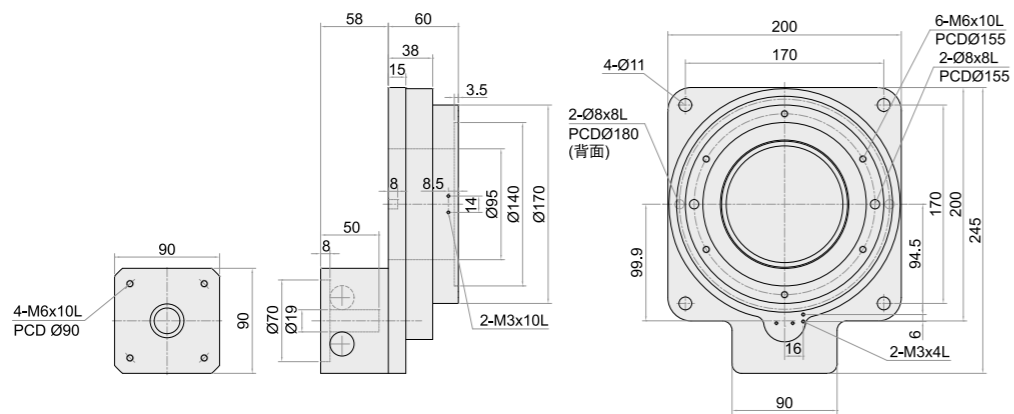
中空旋轉平台性能資料 HOLLOW ROTARY PERFORMANCE INFORMATION

規格 Model NO.	單位 Unit	62	85
伺服馬達 Model for Servo Motor	W	100	200-400
容許轉矩 Remissible Torque	Nu	0.9	2.8
慣性慣量 Inertia Moment	J : kg·m ²	4,324 x 10	2,534 x 10
容許轉速 Permissible Speed	rpm		200
減速比 Ratio		1 : 10	1 : 10
反覆定位精度 Repeatability	sec	±15	±15
容許推力載重 Permissible Thrust Force	N	100	500
容許慣性載重 Permissible Load of Inertia	Nu	2	10
旋轉平台平行度 Parallelism of Rotating Table	µm	0.050	0.050
防護等級 Protection Class	IP	IP 40	IP 40
重量 Weight	Kg	0.7	1.5

MODEL: HT SERIES HT130



MODEL: HT SERIES HT200



中空旋轉平台性能資料 HOLLW ROTARY PERFORMANCE INFORMATION

規格 Model NO.	單位 Unit	130	200
伺服馬達 Model for Servo Motor	W	200-400	750
容許轉矩 Remissible Torque	Nu	12	50
慣性慣量 Inertia Moment	J : kg·m ²	15,874 x 10	108,160 x 10
容許轉速 Permissible Speed	rpm	200	110
減速比 Ratio		1 : 10	1 : 10
反覆定位精度 Repeatability	sec	±15	±15
容許推力載重 Permissible Thrust Force	N	2000	4000
容許慣性載重 Permissible Load of Inertia	Nu	50	100
旋轉平台平行度 Parallelism of Rotating Table	µm	0.050	0.050
防護等級 Protection Class	IP	IP 40	IP 40
重量 Weight	Kg	3	10.5

RV reducers



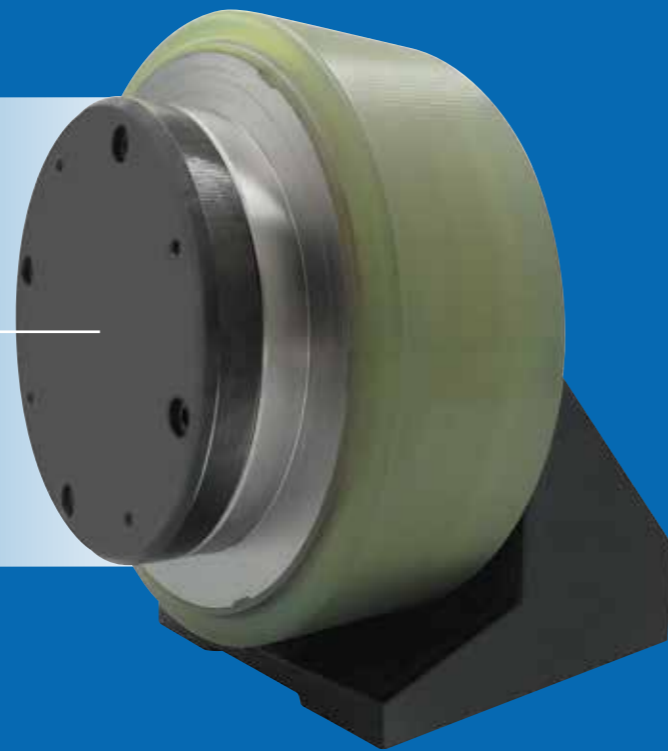
產品特點 PRODUCT FEATURES

RV 減速機

RV減速機傳動比範圍大、嚙合齒數多、承載能力大、高精度、運轉平穩、低噪音、齒側間隙可調整、體積小、傳動效率高可實現高轉速效能。主要應用於各類輕型工業機器人/機械臂、印刷機械、醫療設備、測量儀器、精密包裝機械、半導體設備、數控工具機等對體積有要求的精密傳動系統。

The RV reducer has a wide transmission ratio range, a large number of meshing teeth, a large carrying capacity, high precision, stable operation, low noise, adjustable tooth side clearance, small volume, high transmission efficiency and high speed performance. Harmonic reducers are mainly used in various types of light industrial robots/manipulators, printing machinery, medical equipment, measuring instruments, precision packaging machinery, semiconductor equipment, CNC machine tools and other precision transmission systems that require volume.

AGV reducers



產品特點 PRODUCT FEATURES

AGV 自走車減速機

AGV自走車減速機傳動比範圍大、啮合齒數多、承載能力大、高精度、運轉平穩、低噪音、齒側間隙可調整、體積小、傳動效率高可實現高轉速效能。

The harmonic reducer has a wide transmission ratio range, a large number of meshing teeth, a large carrying capacity, high precision, stable operation, low noise, adjustable tooth side clearance, small volume, high transmission efficiency and high speed performance.



Spiral Bevel Gearboxes

產品特點 PRODUCT FEATURES

螺旋傘齒輪轉向器

運轉平順、扭力大、高效率、高傳動力具多種高性能適用範圍廣泛。

Smooth running, large torque, high efficiency, high transmission force, a variety of high performance, and a wide range of applications.